

INSTALLATION/OPERATION

INST-A-MATIC 3000

INSTALLATION

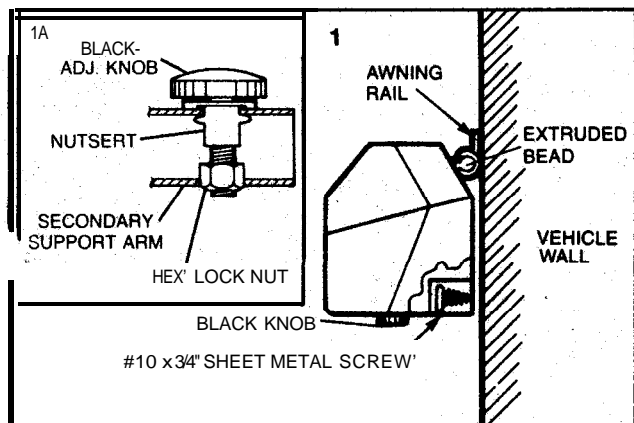
APPLICATION

The A&E Insta-A-Matic 3000 Awning is for use on mini-motorhomes, pick-up campers, vans, and tent trailers.

IMPORTANT: Read through these entire instructions to determine the best way to install and/or operate the Insta-A-Matic 3000 Awning. A&E Systems Inc. reserves the right to modify appearances & specifications without notice.

3 WAYS OF INSTALLATION

A: Temporary the case is slid on and off the awning rail, which is permanently installed on the vehicle. The awning case must be removed from the awning rail for travel.



CAUTION: To prevent the Black Adjustment Knob from vibrating loose from the Awning Box, install the 1/4-20 Hex Lock Nut on the opposite side of the Nutsert of the secondary support arm. (as shown)

B. Semi-Permanent-Slide case into the awning rail as in the temporary method but sheet metal screws should be installed through the bottom flange of the case into the vehicle. Fig. 1.

The case stays attached to the vehicle at all times, yet may easily be taken off for repair or during off seasons.

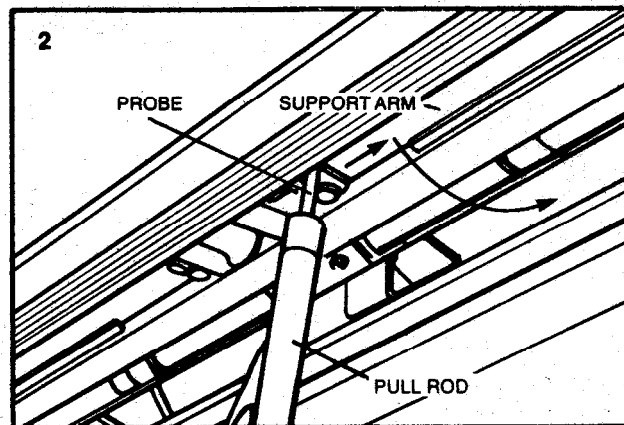
C. Van Installation with Van Adapter Brackets-When this method is used, an A&E Van Adapter Bracket (part number 930010) or Vanagon Van Adapter Kit (part number 930020) must be ordered separately.

1. INSTALLATION ON MOST TRAILERS, CAMPERS OR TENTTRAILERS.

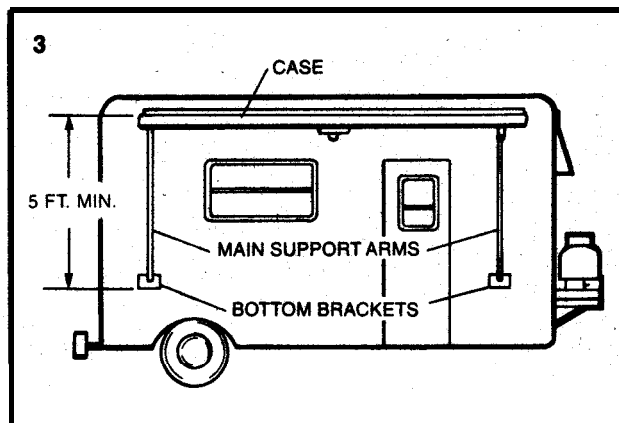
A. If there is no awning rail on the R.V., install the provided awning rail with sheet metal screws and caulking compound. A minimum of 4 1/2" is required for door clearance.

B. Install the two black knobs into the secondary support arm and lock nut on the other side of the knob. Fig. 1A. Slide the extruded bead on the Insta-A-Matic 3000 case through the awning rail to desired position.

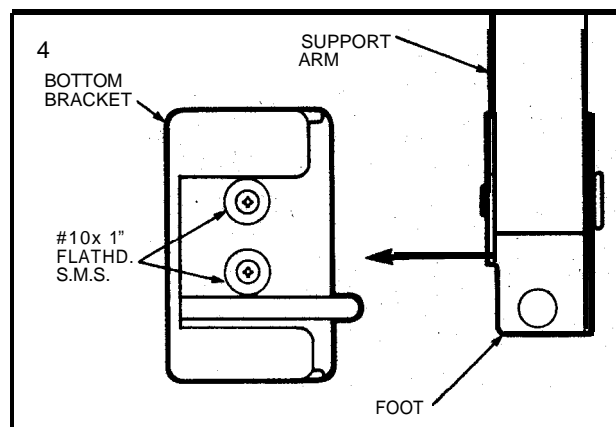
C. Loosen the black knobs on the secondary support arm. Using the probe end of the pull rod push the support arm to side and allow it to clear bottom of case. Fig. 2.



2. A. Allow main support arms to hang straight down from the case. Locate best position for bottom bracket between 5 and 7 feet below awning rail. Fig. 3.



B: Using holes in brackets as guides, mark and drill two (2) 5/32" holes for each bracket. Fig. 4.

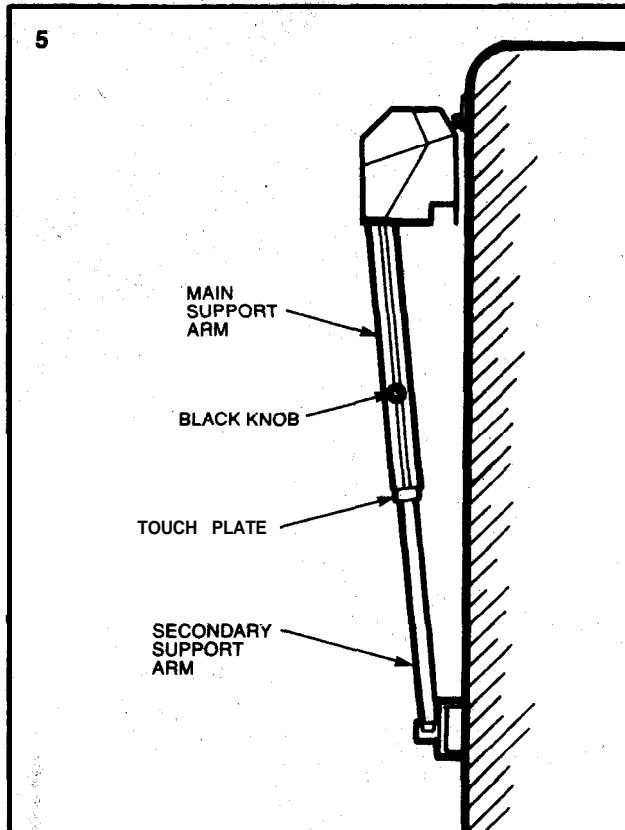


C. Secure each bracket to vehicle using two (2) #10 x 1" Flat Head Sheet Metal Screws. Attach support arms to bottom bracket. Fig. 4.

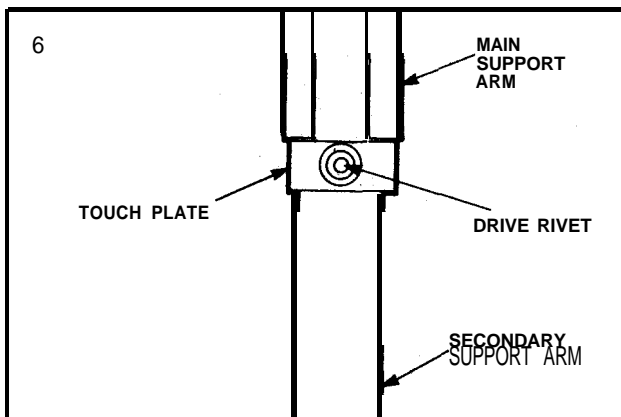
Repeat 2B and 2C on opposite side.

INSTALLATION

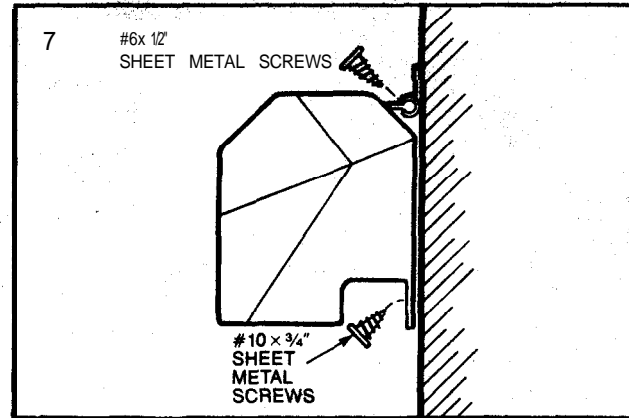
163705-A88 JUNE 1988



3. **A.** Position touch plate horizontally on outside of secondary support arm so it is touching the bottom of the main support arm. Figs. 5 & 6.
- B.** Mark the center hole position of the touch plate and drill a 3/16" hole in secondary support arm.



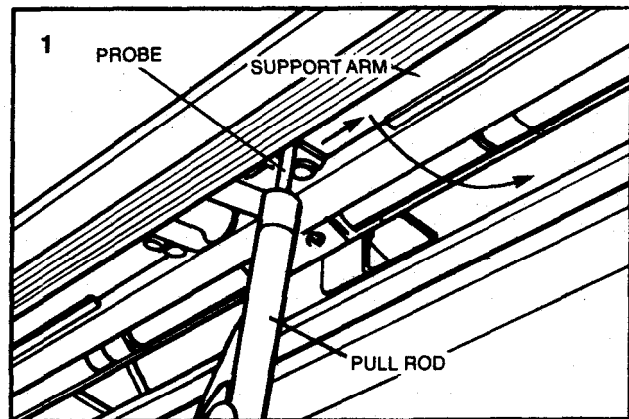
- C.** Attach touch plate to secondary support arm using drive rivet with plastic washer over barrel. Fig. 6.
- D.** Repeat on opposite arm.
4. **A.** If temporary use is desired, make sure to slide the awning case out of awning rail before moving the vehicle.
- B.** For Semi-Permanent installation follow the same installation steps 1 & 2, then drill two (2) 1/8" holes through the bottom flange on the back wall of the main housing, about 2 inches from the edge of the awning end plates at bottom of case.



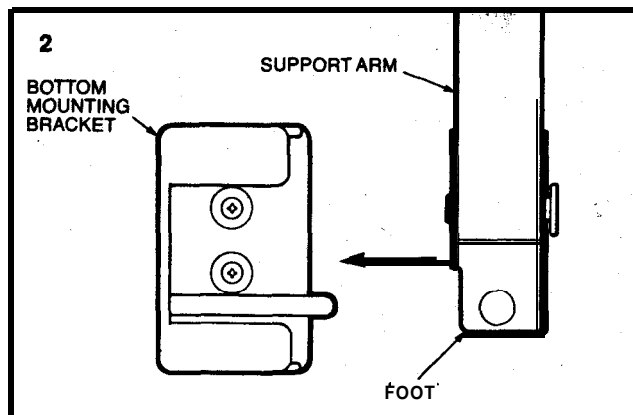
C. Fasten the bottom flange to wall of vehicle using #10 x 3/4" sheet metal screws. Fig. 7.

NOTE: For added security, drill 2 more holes through the bead in the awning rail and through the wall of the vehicle. Fasten case securely to vehicle with #6 x 1/2" sheet metal screws.

OPERATION TO OPEN

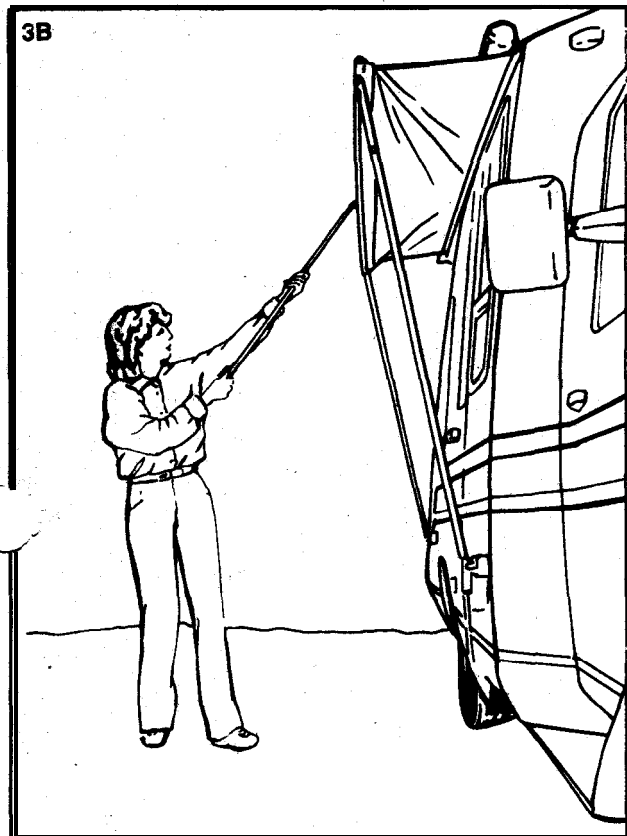
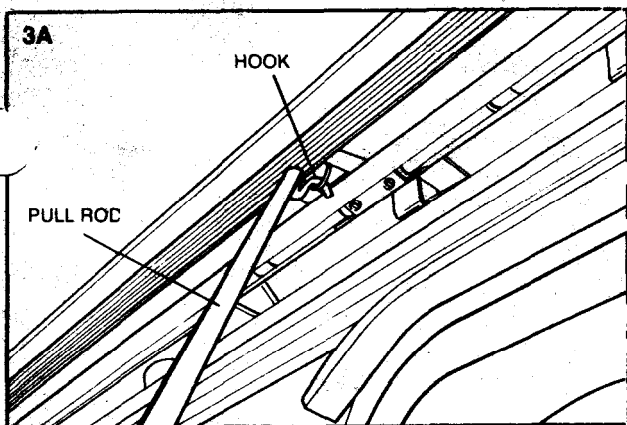


1. Loosen the black knobs. Using the probe end on the pull rod, slide the support arms to the side and out of the case. Fig. 1.

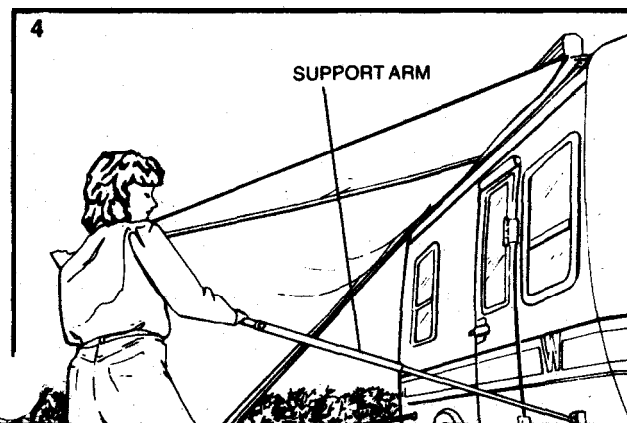


TO USE IN PIVOT POSITION

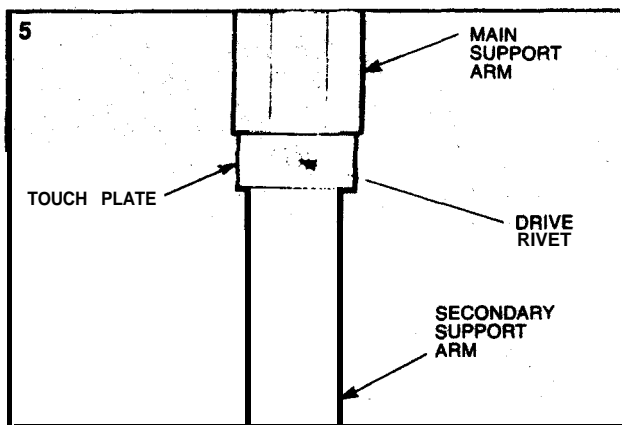
2. Attach the support arms to the bottom brackets by sliding the foot sideways into the bracket. Tighten black knobs. Fig. 2.



3. Using the hook end of the pull rod, pull outward on the hook in the lead rail. Extend the awning until the push buttons in the rafter arms locks in place. Figs. 3A & 36.



4. Slide the support arms upwards to raise the awning to the desired height. Fig. 4.



5. Tighten the black knobs and rotate the touch plate into a horizontal position. Fig. 5.

TO USE IN PATIO POSITION

6. Remove the support arms from the bottom mounting brackets and place them on the ground in a vertical position. Adjust both arms to desired height. Drive the supplied stakes through the feet to secure the support arms to the ground.

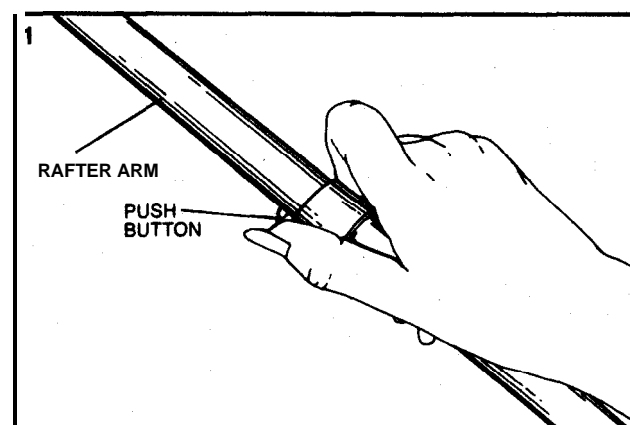
RAIN RELEASE SETTING

7. The automatic water release must be set during rain to prevent damage from water buildup. To set, lower one of the support arms enough to create a down slope toward one side.

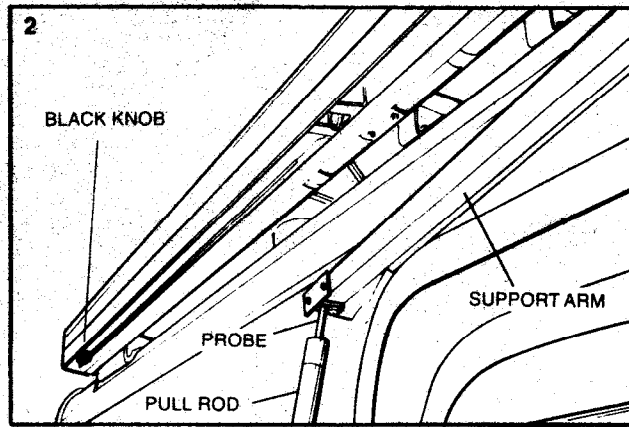
CAUTION: Whenever heavy or prolonged rain is expected, it is best to roll the awning up. Damage due to water buildup is not covered by the warranty.

TO CLOSE

1. If the support arms are in the patio position, remove the stakes and place the awning into the pivot position by inserting the support arm into the bottom bracket.
2. Loosen the black knobs and lower the lead rail so the main support arm contacts the touch plate.



3. Place the hook of the pull rod into the hook of the lead rail. Release the push buttons in the rafter arms and guide the lead rail so the awning rolls straight into the case. Fig. 1.
4. The locks in the lead rail end plate should snap into place when the lead rail is fully closed.
5. Loosen the black knobs and remove the support arms from the bottom bracket.



6. Rotate the touch plate to the vertical position and slide the support arms into the lead rail using the probe end of the pull rod. Fig. 2.
7. Tighten the black knobs. The Inst-A-Matic 3000 is now ready for travel.

OWNER MAINTENANCE ITEMS

1. Lubricate the rafter arms and support arms using paraffin wax or silicone spray. Also tube the threads on knobs.
2. Periodically clean the awning fabric using a mixture of 1/4 cup of dish soap and 1/4 cup of bleach mixed with 5 gallons of warm water. Liberally slosh this mixture on the top of the fabric then roll the awning up for 5 minutes. This will apply the mixture to the bottom as well. Roll back out and hose off with fresh water. Repeat if necessary. Allow to dry before rolling back up.
3. Mildew cannot form on the fabric, but rather will form on dirt or dust on the fabric. The key is to keep the fabric clean.
4. To remove grease spots from vinyl fabrics use only a soap and water solution. Avoid use of caustic household cleaners, mildew removers or hard bristle brushes.
5. Occasionally the awning may develop a pinhole, actually a spot of paint flaked off from the top layer of vinyl. This may be quickly remedied with a very small dab of VLP (Vinyl Liquid Patch) on the tip of a Q-tip by gently rolling around the pinhole the VLP will melt the paint (in the stripe) and that will quickly fill in the pinhole with a perfect match. Be sure to wait until the VLP sets before rolling up the awning.
6. Always make sure the awning is extended high enough before opening entry door.
7. Lower one end of awning for proper water run off and to avoid water pooling.

3-YEAR LIMITED WARRANTY

A&E SYSTEMS warrants this INST-A-MATIC Awning to the original owner for a period of three years from date of purchase against defective workmanship and materials as follows:

A. The vinyl fabric is warranted against:

1. Excessive fading. (There is a slight color change due to ultra-violet rays.)
2. Holes caused by mildew. (Mildew will form on dirt and stain the fabric if the fabric is not kept clean.)
3. Excessive cracking, peeling, hardening or loss of strength white used under normal conditions.

B. All parts of hardware are warranted against breakage while used under normal conditions

A&E Systems will repair or replace defective parts at No Charge during the first year, and from the 13th to the 36th month, the cost of replacement or repair of defective parts will be pro-rated according to length of service obtained, provided:

1. A proof of purchase date is presented
2. The Warranty Registration Card has been completed and mailed to A&E Systems within 10 days after purchase.
3. The Awning has been installed correctly.
4. The damage did not occur due to accident, carelessness, storm, wind, water pooling, or normal wear and tear.
5. The damaged part is shipped to A&E Systems Prepaid. (If repairs or replacements are made under warranty, the parts will be returned Transportation Prepaid).

When all of the above conditions are met, please write or call A&E Systems for a return authorization number. Unit MUST have a return authorization number before factory will accept it.

NOTE: A&E Systems will pay reasonable labor and freight charges on authorized parts replacement provided notice of the defect is received within 12 months (for labor) or 90 days (for freight) from date of purchase. This is a Limited Warranty as defined by federal law. Liability for indirect or consequential damages for any incidental expenses is excluded. A&E Systems shall be liable only to the extent and for the time expressed in this warranty and no further. This warranty is non-transferable.